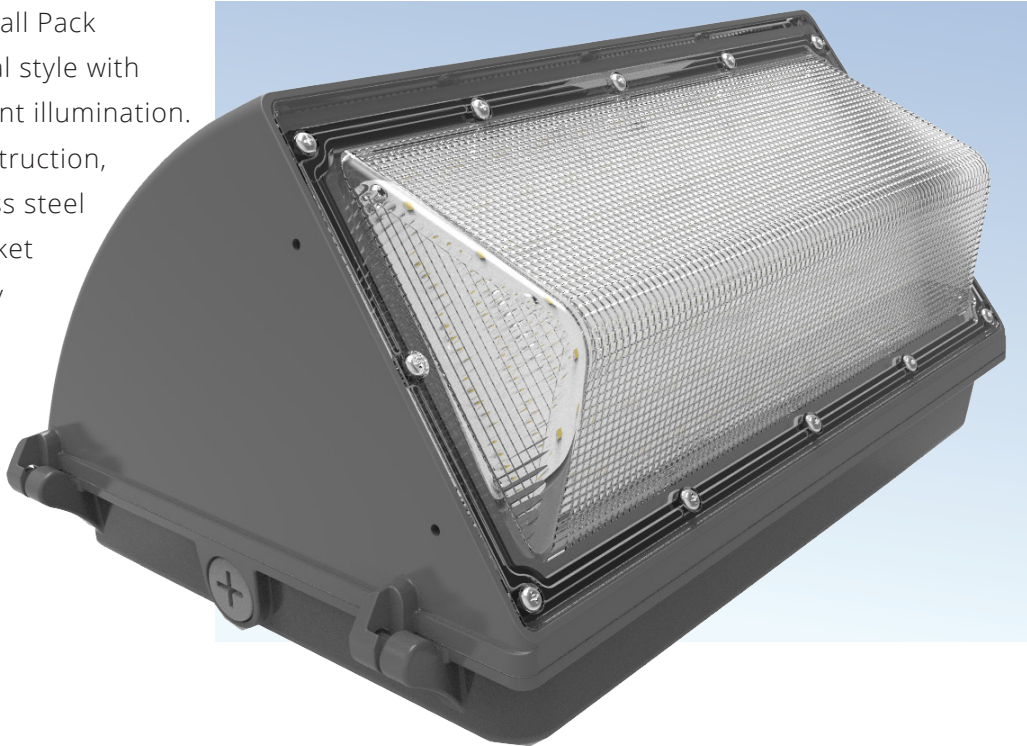


Project Name:	
Application:	
Date:	



ACE Wall Pack (WP1)

The Ace LED Wall Pack (WP1) Wall Pack provides traditional architectural style with high performance energy efficient illumination. Rugged die-cast aluminum construction, hinged removable door, stainless steel hardware along with sealed gasket make the LED Wall Pack virtually impenetrable to contaminants. The Ace Wall Pack luminaire is ideal for pathway, building entrance, vehicle ramps, tunnels, stairways and loading docks and more.

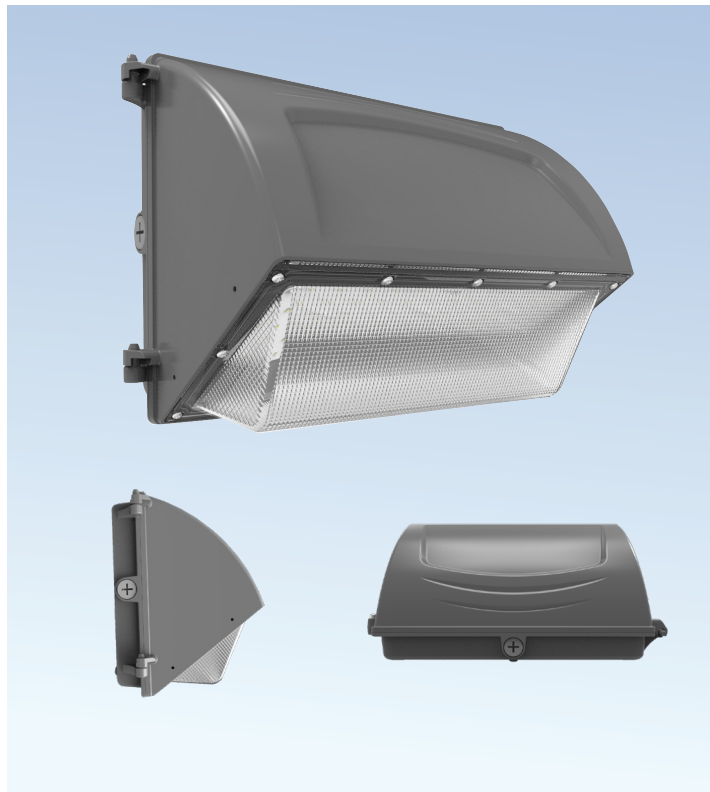


Highlights

- Efficacy >130 Lumens/Watt Delivered
- Compatible with most wireless controls
- Heavy duty, die-cast aluminum housing with hinged removable door frame.
- Ideal for parking lots, hotels, plaza, garden, park, overnight security, entrance, stairways, and overhead door lighting applications and more.
- 120 Degree Light Distribution
- 5 Year Warranty Complete System
- Rapid Installation
- Impact Resistant
- Modular design for easy installation and maintenance

Quick Ship Options Available

Contact your sales representative for more information.



ACE Wall Pack (WP1)

▼ Efficacy

- Only high quality Philips™ LumiLED™ LEDs used to ensure maximum light output and longevity

▼ Thermal Dissipation

- LED's are populated to an aluminum core board to maximize thermal dissipation

▼ Lens

- Frosted

▼ Mounting

Designed for wall mounting

▼ Controls/Sensors

- Photo Cell-Standard

▼ Specifications

Suitability	Wet Locations-IP65 Rated
Warranty	5 Years
Expected Life	>100,000
Driver	Compatible with most wireless controls
System Wattages	40W, 60W, 80W
Efficacy	>130 lm/w
Voltage	100-277V AC
Beam Angle	120°
Lens Options	Frosted
Color Rendering Index (CRI)	>70
Color Temperature	3500K, 4000K OR 5000K
Operating Temperature	-40F +122F
Power Factor	0.90
Total Harmonic Distortion	<10% (277V)
Certifications	DLC Standard*, ETL, RoHS

*Refer to the DLC QPL for current listings

▼ Ordering Information

Model	Wattage	Kelvin	Lens	Voltage	Sensor
AL-WP1-	40	3500K (35K)	Frosted	UNV	Photo Cell (PC)
	60	4000K (40K)			
	80	5000K (50K)			

▼ Lumen Output

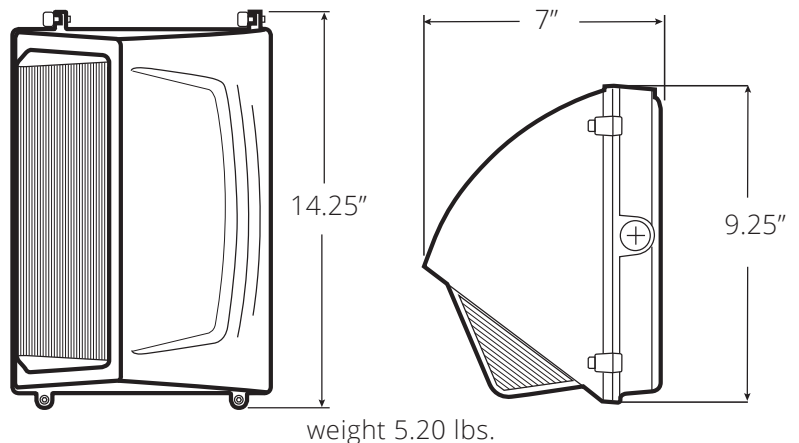
Wattage	Lumen
40	5200
60	7800
80	10400

Example

AL-WP1-XXW-XXK-F-UNV-PC

▼ Quick Ship Options Available

Contact your sales representative for more information.



Specifications are Subject to Change.

2 of 2
Modified: April 30, 2020 1:01 PM