

Project Name:	
Application:	
Date:	



ACE High Bay (AHB)

The Ace LED High Bay (AHB) is a feature rich, high value option for your high bay needs. Staying true to smart engineering priorities, the AHB is comprised of extruded aluminum bars for LED thermal dissipation. The driver is manufactured by Linmore LED Labs, a proven manufacturer of power supplies. This DLC Premium High Bay is everything you need, and nothing that you don't. When the objective is to find a quality high bay that meets your budget, let our AHB be the Ace up your sleeve.



Highlights

- Efficacy up to >151 Lumens/Watt Delivered
- 1-10 Volt Dimming, External Driver
- Aluminum Heat Sink/Extrusion
- Frosted Lens
- 120 Degree Light Distribution
- 10 Year Warranty Complete System
- Rapid Installation
- Impact Resistant

Easy Installation

- 1: Cable suspension system provides quick installation.



Quick Ship Options Available

Contact your sales representative for more information.

ACE High Bay (AHB)

Efficacy

- Only high quality LEDs used to ensure maximum light output and longevity

Thermal Dissipation

- Each light bar is made with an aluminum extrusion to aid in heat dissipation
- Light bars are powder coated for a clean look and finish
- Interior PCB board is made of aluminum core to assist with the thermal transfer

Lens

- Frosted lens is made with a high transmissive plastic to maximize lumen output from the LED
- Glass Free

Specifications

Suitability	Dry or Damp Locations
Warranty	10 Years
Expected Life	>100,000 L70
Driver	Dimmable 1-10V, compatible with most wireless controls
System Wattages	60W, 88W, 100W, 125W, 160W, 200W
Efficacy	>151 lm/w
Voltage	100-277V AC 347/480V Optional
Beam Angle	120°
Lens Options	Frosted
Color Rendering Index (CRI)	>80
Color Temperature	3500K, 4100K OR 5000K
Bar Extrusions	Aluminum
Operating Temperature	-40F +130F
Power Factor	0.99
Total Harmonic Distortion	<10% (277V)
Certifications	DLC Premium*, UL, Lighting Facts, RoHS

*Refer to the DLC QPL for current listings

Ordering Information

Model	Kelvin	No of Bars	Wattage	Options	
AL-AHB-	3500K (35K)	3	60	Sensor	Sensor
	4100K (41K)		88	HV	340/480V Transformer
	5000K (50K)		100		
			125		
			160		
			200		

Lumen Output

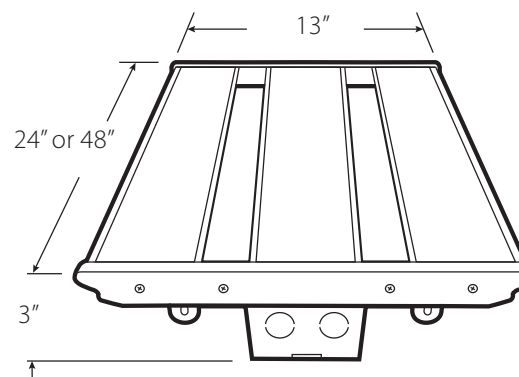
Wattage	Lumen
60	9272
88	12556
100	15151
125	17712
160	22498
200	30302

Example

AL-AHB-50K-3-200-SEN

Quick Ship Options Available

Contact your sales representative for more information.



Weight: 10 lbs. (24") and 17 lbs. (48")

Ordering Information

11SO	11' SO Cord
15SO	15' SO Cord
WFC	Winsta Female Connector, installed (commonly found on Orion fluorescent high bays)
SPD-277P-20KA-EC1	20ka Surge Suppressor plus 10 Year Driver Warranty Upgrade
TF	General Electric Autotransformer 480 Volt to 277 Volt, <250 Watts
LL-WG-2	Wire Guard for AHB 60w, 88w, 100w, 125w, 160w Models, works with sensors
LL-WG-4	Wire Guard for AHB 200w Model, works with sensors
LL-UPH-CABS	Aircraft Cable, universal yoke and toggle kit, 6' suspension cable adjustable to 1'; sold in pairs