



TROFFER RETROFIT KIT (TRK) INSTALLATION INSTRUCTIONS

These instructions do not purport to cover all details or variations in components nor to provide for every possible contingency to be met in connection with installation, operation, or maintenance. Should further information be desired or should a particular problem arise which is not covered sufficiently for the purchaser's purpose, the matter should be referred to Linmore LED Labs. Linmore does not claim liability for any installation not performed according to this guide or not by a qualified electrician.

IMPORTANT SAFEGUARDS

When using electrical equipment, basic safety precautions should always be followed including the following:

READ AND FOLLOW ALL SAFETY INSTRUCTIONS

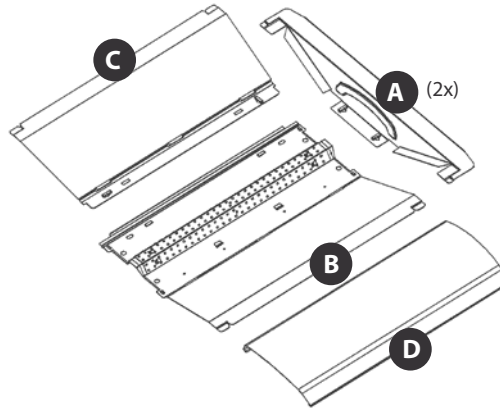
1. **DANGER – RISK OF SHOCK – DISCONNECT POWER BEFORE INSTALLATION**
2. **WARNING** – Risk of fire or electric shock. LED Upgrade Kit installation requires knowledge of luminaires electrical systems. If not qualified, do not attempt installation. Product must be installed in accordance with NEC or your local electrical code. If you are not familiar with these codes and requirements, contact a qualified electrician.
3. **WARNING** – Risk of fire or electric shock. Luminaire wiring and electrical parts may be damaged when drilling for installation of the LED upgrade kit. Check for enclosed wiring and components.
4. **WARNING** – Risk of fire or electric shock. Check the existing wiring for damage before installing upgrade kit. Do not install if existing wires are damaged.
5. **WARNING** – To prevent wiring damage or abrasion, do not expose wires to the edge of sheet metal or any other sharp objects.
6. **WARNING** – Risk of fire or electric shock. Install this kit only in the luminaires that have the construction features and dimensions shown in the photographs and/or drawings.
7. The retrofit assembly is accepted as a component of a luminaire where the suitability of the combination shall be determined by UL or authorities having jurisdiction.
8. Only the holes indicated in the photographs or drawings may be made or altered as a result of the kit installation. Do not leave any other holes open in a wiring enclosure or electrical component.

SAVE THESE INSTRUCTIONS FOR FUTURE REFERENCE NOTES:

1. Retrofit Kit is for installation in a common Lithonia Avante Troffer in 2'x2' or 2'x4' configurations.
2. Consult your local authority regarding disposal or recycling of removed ballast and lamps.

LIST OF SUPPLIED COMPONENTS:

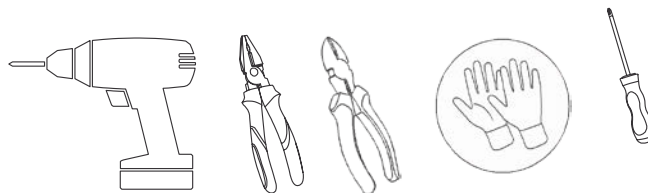
- A. Side Panel (2)
- B. LED panel
- C. Closing panel
- D. Diffuser
- E. Luminaire marking



LIST OF ITEMS INSTALLER MAY HAVE TO SUPPLY:

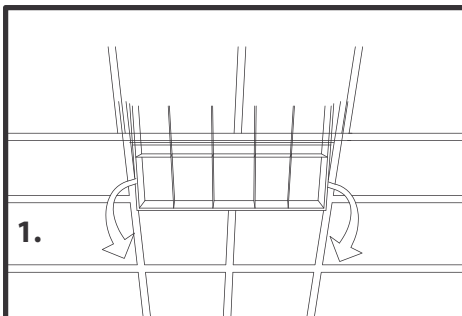
1. Pliers
2. Tin Snips
3. Drill
4. Screwdriver

Tools required

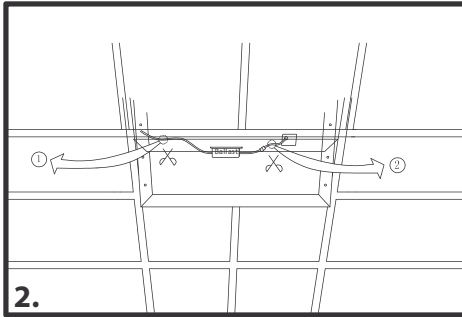


INSTALLATION

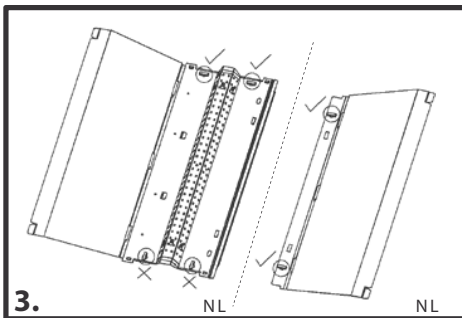
1. **Step 1:** Turn power off and take out original cover and tubes.



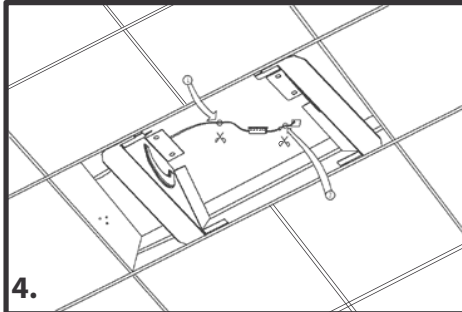
2. **Step 2:** Remove all the parts such as lamp holder, starter etc. Cut off power wire as shown in **Step 1**. If the distance between ballast and ceiling surface is lesser than 3 inch, cut wire **2** and remove ballast.



3. **Step 3:** Fixate the supplied fasteners (6 pcs in all) to LED panel (**B**) and closing panel (**C**) separately and pay attention to the directions.



4. **Step 4:** Install side panel (**A**) in between troffer.

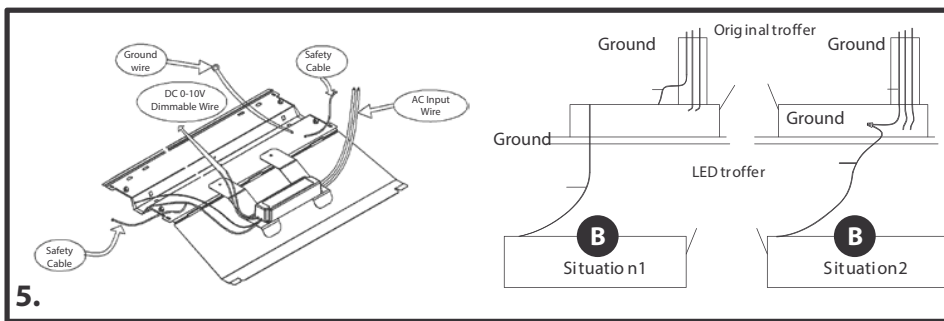


5. **Step 5:** Connect LED panel **(B)**'s DC 0-10V dimmable wire, ground wire and AC input wire well. Drill two 4.2mm dim holes in the original bottom troffer by tools. Fixate the safety cable to the bottom troffer by screw.

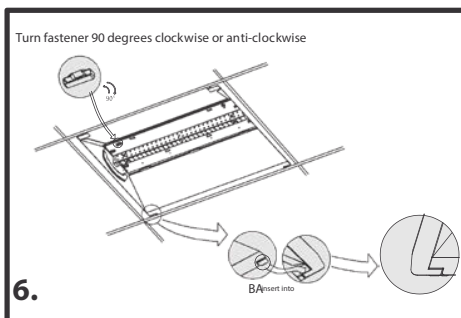
- For the dimmable wire:
 - If it is unnecessary to dim, there is no need to connect dimmable wire and the connector can not be removed.
 - If it is necessary to dim, connect dimmable wire to 0-10 Vdc and the dimmable wire should be rated 300V.
- AC input wire connect with **part a** or **b** based on situations. WARNINGS: RISK OF PERSONAL INJURY

Situation1: Screw grounding cable from LED panel **(B)** to original troffer if host fixture ground connection is made through host fixture.

Situation2: Connect to the incoming ground lead from conduit.



6. **Step 6:** Install LED panel **(B)** in between troffer, making sure the tabs at each corner of the LED panel slide into the respective slots on the side panel. Install Closing panel **(C)** in between troffer. Fixate panels and establish ground by turning fastener 90 degrees. WARNINGS: RISK OF FIRE OR ELECTRIC SHOCK While installing LED panel **(B)** and Closing panel **(C)**, make sure the electrical wiring is not clamped between panels.



7. **Step 7:** Press Diffuser **(D)** inward and make sure fix well. Turn power on. This Retrofit Kit is on. The installation is finished.

