

Project Name:	
Application:	
Date:	



Ace Strip Fixture (ST1)

The Ace LED Strip Fixture (ST1) is a feature rich, high value option for your strip lighting needs from task lighting to stairwells. A unique feature to strip lighting, the ST1 has latches to easily open the fixture while other strips in the market have to be disassembled with tools. The easy opening latches make for an expedited installation and make the ST1 easy to maintain in future years. The driver comes from Linmore LED, a proven manufacturer of power supplies. This DLC Premium Linear Ambient Fixture is everything you need, and nothing that you don't. When the objective is to find a quality strip fixture that meets your budget, let our ST1 be the Ace up your sleeve.



Highlights

- Efficacy up to >130 Lumens/Watt Delivered
- Linkable (up to 4 fixtures)
- 1-10V Dimming Driver
- Frosted Lens
- 180 Degree Light Distribution
- 5 Year Warranty Complete System
- Removable Cover for Easy Installation

Easy Installation

- 1: Easy open latches provide quick installation.



Quick Ship Options Available

Contact your sales representative for more information.

Ace Strip Fixture (ST1)

▼ Efficacy

- Only the highest quality LEDs are used to deliver the maximum amount of lumens per strip

▼ Thermal Dissipation

- Each LED board is made with aluminum to ensure maximum heat dissipation from the LED

▼ Lens

- Lenses are made using a High Quality Plastic with UV inhibitors to aid against yellowing

▼ Specifications

Suitability	Wall Mount, Surface mount or Pendant
Warranty	5 Years
Expected Life	>100,000 L70
Driver	Dimmable 1-10V, compatible with most wireless controls
System Wattages	22W, 36W
Efficacy	>130 lm/w
Voltage	100-277V AC
Beam Angle	180°
Lens Options	Frosted
Color Rendering Index (CRI)	>80
Color Temperature	3500K, 4100K or 5000K
Operating Temperature	-40F +130F
Power Factor	0.99
Total Harmonic Distortion	<10% (277V)
Certifications	DLC Premium*, UL, RoHS

*Refer to the DLC QPL for current listings

▼ Ordering Information

Model	Size	Kelvin	Wattage	Options	
AL-ST1-	4-(48")	3500K (35K)	22	LINK	Linkable Connector
		4100K (41K)	36		
		5000K (50K)			

▼ Lumen Output

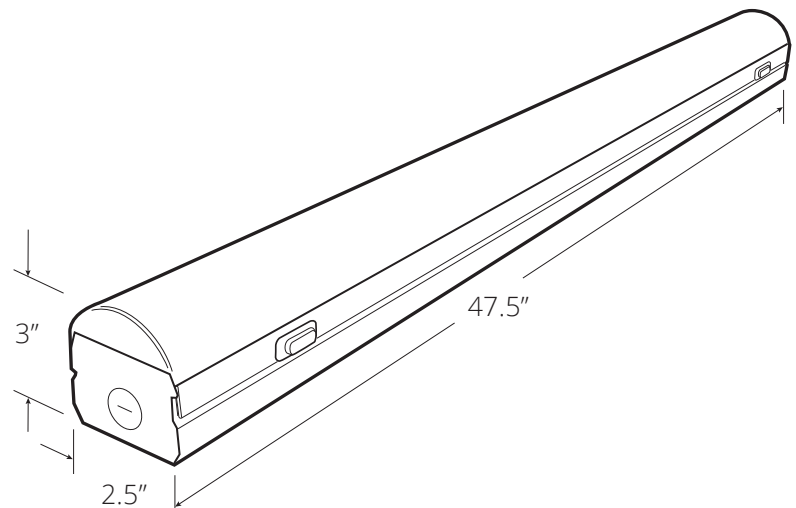
Wattage	Lumen
22	2934
36	4758

Example

AL-ST1-4-50K-22-LINK

▼ Quick Ship Options Available

Contact your sales representative for more information.



▼ System Components

LL-BBU-0848 LED Battery Backup for External Drivers, 8 Watts Output, >90 Minutes Operating Time, 100-277V, field installed



Specifications are Subject to Change.