

Project Name:	
Application:	
Date:	



Troffer Retrofit Kit (TRK)

The Ace LED Troffer Retrofit Kit (TRK) is a high value kit to modernize an existing troffer. The TRK quickly assembles inside of an existing troffer without tools in just minutes. The TRK takes a traditional troffer and transforms it to the new look of modern troffer lighting with a center lens that is evenly illuminated. This DLC Premium Troffer Retrofit Kit is everything you need, and nothing that you don't. When the objective is to modernize troffer lighting and meet your budget, let our TRK be the Ace up your sleeve.



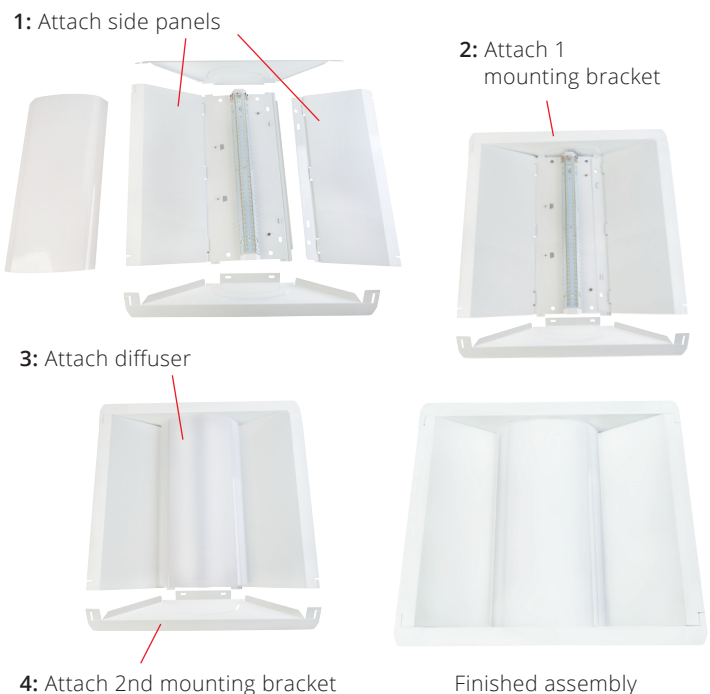
Highlights

- Efficacy up to >130 Lumens/Watt Delivered
- 0 -10 Volt Dimming Driver
- Aluminum Heat Sink/Extrusion
- Integral Volumetric Lens
- 180 Degree Light Distribution
- 10 Year Warranty Complete System
- High Reflectance Coating
- Easy Installation
- Modernized Aesthetic

Quick Ship Options Available

Contact your sales representative for more information.

Easy Assembly



See installation instructions at aceled.com/TRK-installation-pdf

Troffer Door Kit (TRK)

▼ Efficacy

- Only top tier performance diodes for ultra-high Lumens/Watt
- Lowest Watts per Foot Candles Available

▼ Thermal Dissipation

- LEDs are populated on a 3 side aluminum extrusion to allow for maximum heat dissipation

▼ Optics

- High transmissive plastic lens for maximum lumen output
- Using a three sided aluminum extrusion creates a very uniformed distribution of light. No dark areas under the lens. Full 180 degree distribution

▼ Specifications

Suitability	Retrofit existing 2x2, 2x4
Warranty	10 Years
Expected Life	>100,000 hours L70
Driver	Dimmable 0-10V, Comes with 12V output, compatible with most wireless controls
System Wattages	2x2 - 18W, 22W 2x4 - 22W, 28W, 34W
Efficacy	>130 lm/w
Voltage	100-277V AC
Beam Angle	180°
Lens Options	Frosted
Color Rendering Index (CRI)	>80
Color Temperature	3500K, 4100K OR 5000K
Operating Temperature	-40F +130F
Power Factor	0.99
Total Harmonic Distortion (THD)	<10% (277V)
Certifications	UL, Lighting Facts, RoHS

▼ Ordering Information

Model	Size	Kelvin	Wattage	Options	
AL-TRK-	22-2'x2'	3500K (35K)	18, 22	LEDD	Enocean Wireless Module
	24-2'x4'	4100K (41K)	22, 28, 34		
		5000K (50K)			

▼ Lumen Output

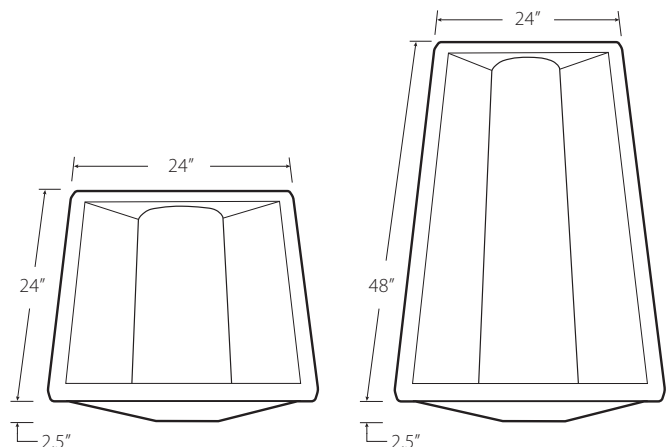
Wattage	Lumens
18	2340
22	2860
28	3640
34	4420

Example

LL-TRK-24-50K-22-LEDD

▼ Quick Ship Options Available

Contact your sales representative for more information.



Specifications are Subject to Change.